

PLEASE CHECK WWW.MOLEX.COM FOR LATEST PART INFORMATION

Part Number: [0751351000](#)
Status: **Active**
Overview: [dms59](#)
Description: 1.27mm (.050") Pitch DMS-59® Cable Plug Subassembly, Shielded

Documents:

[3D Model](#) [Product Specification PS-75134-001 \(PDF\)](#)
[Drawing \(PDF\)](#) [RoHS Certificate of Compliance \(PDF\)](#)

General

Product Family	I/O Connectors
Series	75135
Application	Wire-to-Board
Comments	Insert-molded plug terminal sticks supplied separately (see 70984-1098 and 70984-1099)
Component Type	Plug, Subassembly
Overview	dms59
Product Name	DMS59®
Type	N/A

Physical

Boot Color	N/A
Circuits (Loaded)	N/A
Circuits (maximum)	59
Color - Resin	Natural
Durability (mating cycles max)	500
Gender	Plug
Lock to Mating Part	Yes
Material - Metal	Aluminum
Material - Plating Mating	Gold
Material - Plating Termination	Tin-Lead
Material - Resin	High Temperature Thermoplastic
Number of Rows	4
Orientation	Vertical
PCB Locator	No
PCB Retention	N/A
Packaging Type	Tray
Panel Mount	Yes
Pitch - Mating Interface (in)	0.050 In
Pitch - Mating Interface (mm)	1.27 mm
Pitch - Term. Interface (in)	0.050 In
Pitch - Term. Interface (mm)	1.27 mm
Plating min: Mating (µin)	30
Plating min: Mating (µm)	0.76
Plating min: Termination (µin)	100
Plating min: Termination (µm)	2.50
Polarized to Mating Part	Yes
Ports	1
Surface Mount Compatible (SMC)	Yes
Temperature Range - Operating	-20°C to +85°C
Termination Interface: Style	N/A
Waterproof / Dustproof	No
Wire Size AWG	28, 30, 32, 34, 36

Electrical

Current - Maximum per Contact	3A
-------------------------------	----

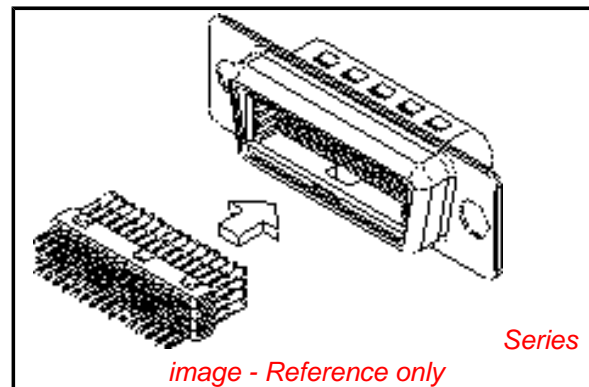


image - Reference only

EU RoHS

ELV and RoHS Compliant
REACH SVHC Contains SVHC: No
Halogen-Free Status

China RoHS



Need more information on product environmental compliance?

Email productcompliance@molex.com
 For a multiple part number RoHS Certificate of Compliance, [click here](#)

Please visit the [Contact Us](#) section for any non-product compliance questions.

Search Parts in this Series

[75135Series](#)

Mates With

[75134](#)

Use With

[70984 Plug Terminal Sticks](#)

Shield Type	Full Shield
Shielded	Yes
Voltage - Maximum	40V AC (RMS)

Material Info

Reference - Drawing Numbers

Packaging Specification	PK-70873-0236
Product Specification	PS-75134-001
Sales Drawing	SD-75135-001

This document was generated on 05/28/2010

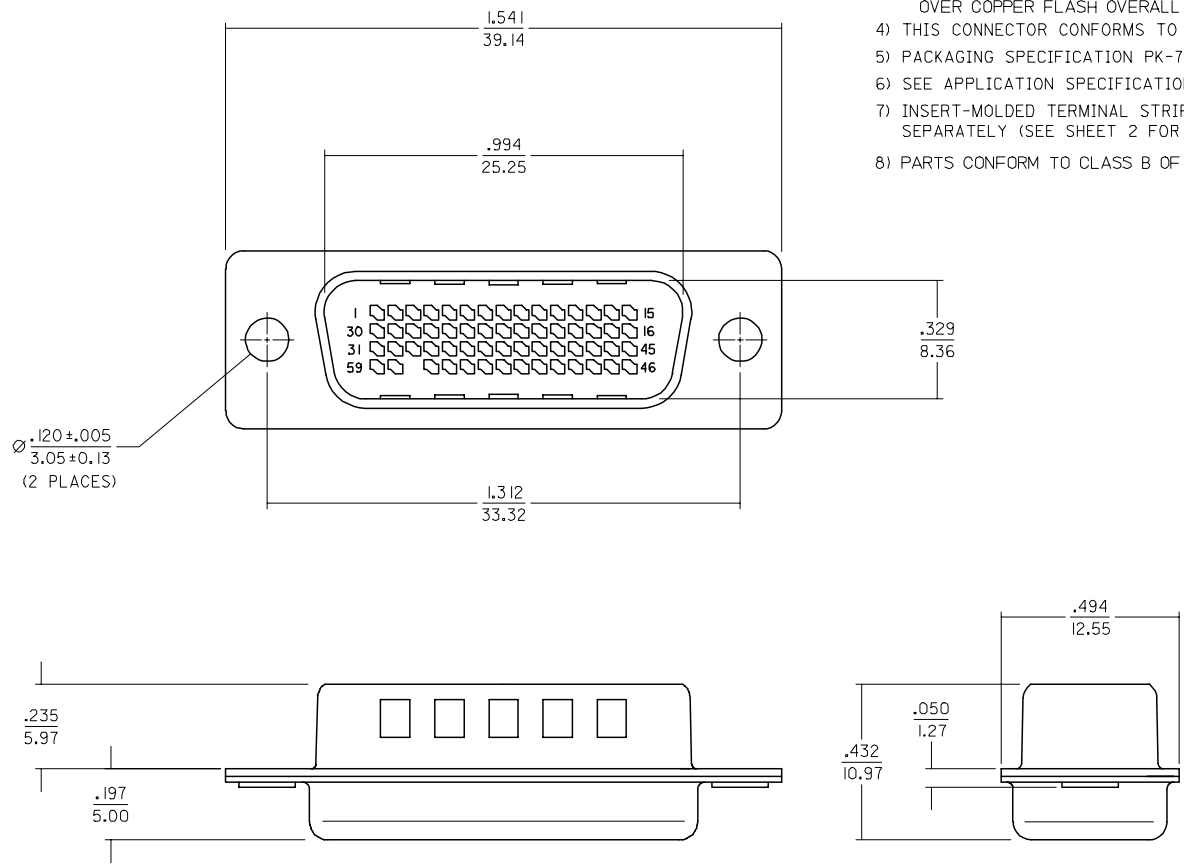
PLEASE CHECK WWW.MOLEX.COM FOR LATEST PART INFORMATION

13 12 11 10 9 8 7 6 5 4 3 2 1

ITEM NUMBER	PRODUCT DESCRIPTION	FRONT SHELL PLATING
75135-1000	DMS-59 I/O PLUG CONNECTOR	BRIGHT TIN
75135-1009	DMS-59 I/O PLUG CONNECTOR	BRIGHT NICKEL

NOTES:

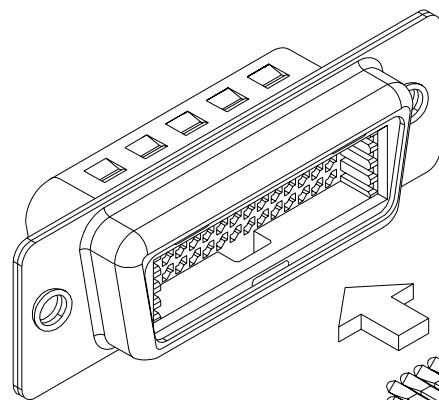
- 1) PLASTIC HOUSING:
GLASS FILLED LCP (LIQUID CRYSTAL POLYMER), UL94 V-0, COLOR: NATURAL.
- 2) FRONT SHELL:
DEEP DRAWN STEEL:
PLATING: SEE TABLE
BRIGHT TIN: 150-250 MICRONS BRIGHT TIN OVER 50-150 MICRONS NICKEL OVER COPPER FLASH OVERALL (OPTIONAL).
BRIGHT NICKEL: 100-175 MICRONS BRIGHT NICKEL OVER 50 MICRONS MAXIMUM COPPER OVERALL.
- 3) BACK SHELL:
DEEP DRAWN STEEL:
PLATING: 150-250 MICRONS BRIGHT TIN OVER 50-150 MICRONS NICKEL OVER COPPER FLASH OVERALL (OPTIONAL).
- 4) THIS CONNECTOR CONFORMS TO PRODUCT SPECIFICATION PS-75134-001.
- 5) PACKAGING SPECIFICATION PK-70873-0236 APPLIES.
- 6) SEE APPLICATION SPECIFICATION PS-70929 FOR ASSEMBLY AND TERMINATION DETAILS.
- 7) INSERT-MOLDED TERMINAL STRIP ASSEMBLIES ARE SUPPLIED SEPARATELY (SEE SHEET 2 FOR ORDERING INFORMATION).
- 8) PARTS CONFORM TO CLASS B OF COSMETIC SPECIFICATION PS-45499-002.



2	A
1	D
SHT	REV

ADD COSMETIC SPEC FC NO: UCP2007-2622 DRW: DMORGAN 2007/09/13 CHK: MS BARRA 2007/09/13 APPR: SMILLER 2007/09/13 REV:	QUALITY SYMBOLS	GENERAL TOLERANCES (UNLESS SPECIFIED)	DIMENSION STYLE	SCALE	DESIGN UNITS	THIRD ANGLE PROJECTION
	$\nabla = 0$ $\nabla = 0$	mm INCH 4 PLACES ± --- ± --- 3 PLACES ± --- ± .010 2 PLACES ± 0.25 ± .015 1 PLACE ± 0.38 ± --- ANGULAR ± 1/2°	IN/MM	4:1	INCH	THIRD ANGLE PROJECTION
	DRAWN BY: DMORGAN 2007/10/17 CHECKED BY: BBARKER 2002/10/17 APPROVED BY: SMILLER 2002/10/17	MATERIAL NO. SEE TABLE DOCUMENT NO. SD-75135-001		TITLE: SALES DMS-59 I/O PLUG LFH .050/1.27 PITCH 59 CKT CABLE ASSY		SHEET NO. 1 OF 2
	DRAFT WHERE APPLICABLE MUST REMAIN WITHIN DIMENSIONS		THIS DRAWING CONTAINS INFORMATION THAT IS PROPRIETARY TO MOLEX INCORPORATED AND SHOULD NOT BE USED WITHOUT WRITTEN PERMISSION		MOLEX INCORPORATED	

12 11 10 9 8 7 6 5 4 3 2 1



PLUG CONNECTOR
75135-1000

70984-10**
(15 CIRCUIT STICK)
(3 REQUIRED PER ASSEMBLY)

INSERT MOLDED TERMINAL STICKS
SUPPLIED SEPARATELY
SEE SALES DRAWING SDA-70984-100* FOR 70984-10**
SEE SALES DRAWING SD-70984-100 FOR 70984-109*
NOTE: STICKS SHOWN WITH CARRIER REMOVED

70984-109*
(14 CIRCUIT STICK)
(1 REQUIRED PER ASSEMBLY)

INITIAL RELEASE EC NO. UCP2003-0543 DRWING: DMORGAN 02/10/17 CHK: BBARKER 02/10/17 APPR: SMILLER 02/10/17	DESCRIPTION MAJOR = CRITICAL =	GENERAL TOLERANCES: (UNLESS SPECIFIED)		SCALE :	DESIGN UNITS <input type="checkbox"/> mm <input checked="" type="checkbox"/> INCH	DIMENSIONS: <input type="checkbox"/> mm <input checked="" type="checkbox"/> INCH <input type="checkbox"/> mm ONLY	THIRD ANGLE PROJECTION	SHT REV
		4 PLACES ±0. ±.	DRAWN BY & DATE DMORGAN 02/10/17	TITLE: SALES DMS-59 I/O PLUG LFH .050/1.27 PITCH 59 CKT CABLE ASSY			REVISE ON CAD ONLY	
		3 PLACES ±0. ±.010	CHECKED BY & DATE BBARKER 02/10/17	MOLEX INCORPORATED				
		2 PLACES ±0.25 ±.015	APPROVED BY & DATE SMILLER 02/10/17	CAD FILENAME	MATERIAL NO. SEE CHART	DRAWING NO. SD-75135-001	SHEET NO. 2	
1 PLACE ±0.38 ±.	ANGULAR: ± 1/2 °	DRAFT WHERE APPLICABLE MUST REMAIN WITHIN DIMENSIONS		THIS DRAWING CONTAINS INFORMATION THAT IS PROPRIETARY TO MOLEX INCORPORATED AND SHOULD NOT BE USED WITHOUT WRITTEN PERMISSION.			SIZE C	